



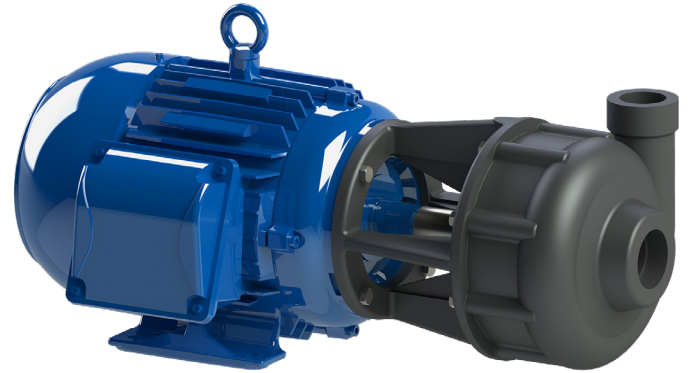
A RUTHMAN COMPANY

Vortex Series Horizontal Pumps

VORTEX
V11019-AH-SE
3450 RPM

Gusher Vortex Series Horizontal pumps provide years of trouble-free, low maintenance operation in applications with high levels of solids or entrained air.

Vortex pumps handle solids and fibrous materials without clogging. Their design moves liquids and oils containing up to 30% entrained air with no adverse effects on suction performance. Low flows are not a problem for Vortex pumps, as the design allows throttling to a low performance range unacceptable to many centrifugal pumps.



Key Specifications

Type: Vortex Centrifugal Ends Suction

Flow: Up to 210 gpm

Head: Up to 124' TDH

Liquid Temp: Max 180° F

Max Solid Size: .5"

Motor Type: Standard JP Motor

Intake: 2"

Discharge: 1.5"

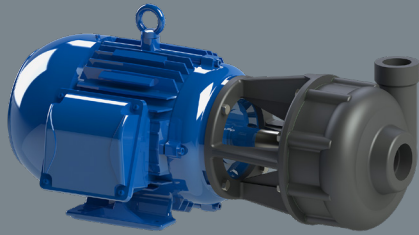
Power: 1.5 hp, 2 hp, 3 hp, 5 hp, 7.5 hp and 10 hp

Features

- Back pullout design reduces service downtime
- Durable one-piece shaft eliminates risk of coupling misalignment
- Renewable shaft sleeve protects shaft from wear
- Mechanical seal prevents leakage

Options

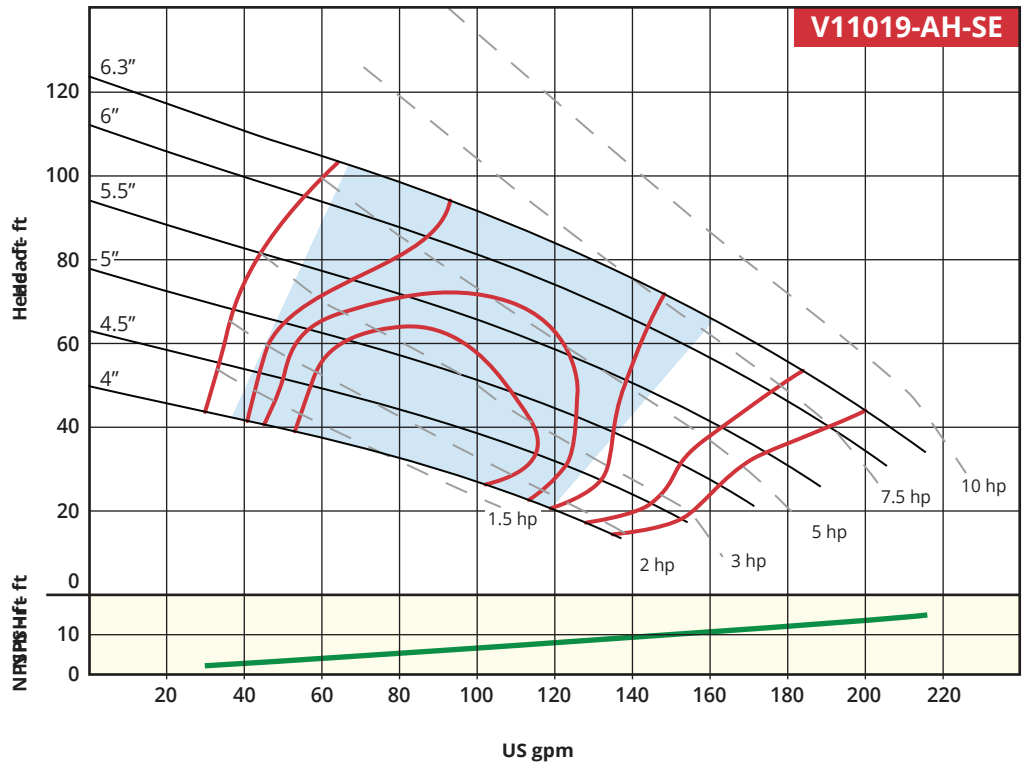
- Cast Iron, 316 Stainless Steel or 28 Chrome construction
- Choice of 1 or 3 phase motor
- Multiple mechanical seal materials
- Impeller variations: 316 Stainless Steel
- Seal flush line addition



Performance Curve

3450 RPM

Recommended Operating Range



Low Maintenance

- Long service life
- Back pullout design
- Renewable shaft sleeve

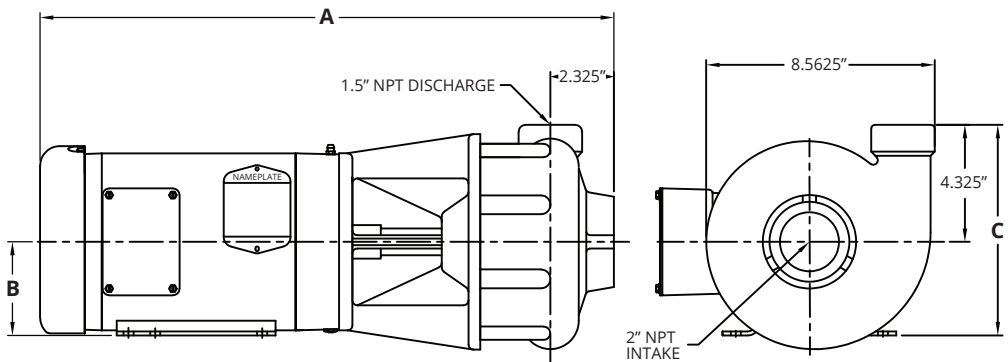
Custom Design

- Choice of materials
- Choice of seals
- Choice of impellers

Applications

- Agriculture
- Fibrous Waste
- Sludge
- Shavings
- Swarf
- Paper pulp
- Wastewater

Dimensions*



HP	Total Length (A)	Motor Center to Foot (B)	Total Height (C)	Weight (lbs)
1.5	22.50"	3.50"	8"	90
2	22.50"	3.50"	8"	95
3	22.00"	4.50"	9"	120
5	23.25"	4.50"	9"	140
7.5	26.25"	4.50"	9"	150
10	27.00"	5.25"	9.75"	200

*For reference only; not for construction. Contact Gusher Engineering for certified drawings.



A RUTHMAN COMPANY

www.Gusher.com
Info@Gusher.com
859.824.5001