



A RUTHMAN COMPANY

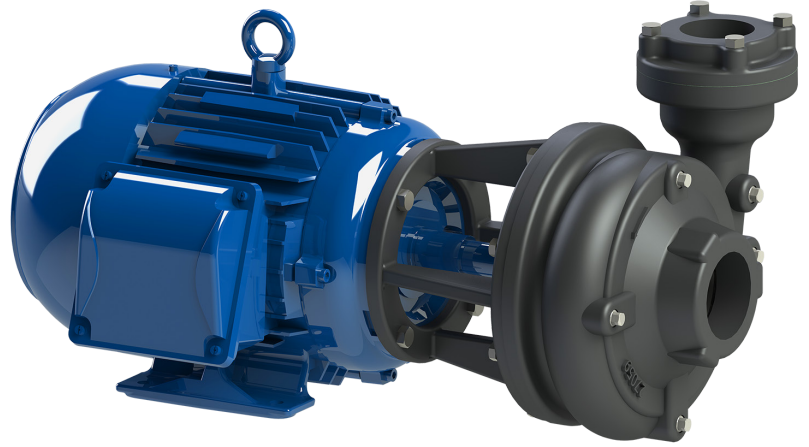
7800 Series Horizontal Pumps

11031-JP

3450 RPM

Gusher 7800 Series Horizontal pumps provide years of trouble-free, low maintenance operation. If service is needed beyond standard periodic lubrication, the back pullout design cuts downtime to a minimum.

With the back pullout design, all pump components are removed and reinstalled without disconnecting the piping. After completing repairs (typically replacement of the seal assembly or shaft sleeve) the pump is quickly returned to operation.



Key Specifications

Type: Centrifugal, End Suction

Flow: Up to 230 gpm

Head: Up to 204' TDH

Liquid Temp: Max 180° F

Max Solid Size: .5"

Motor Type: Standard JP Motor

Intake: 2.5"

Discharge: 2"

Power: 3 hp, 5 hp, 7.5 hp, 10 hp and 15 hp

Features

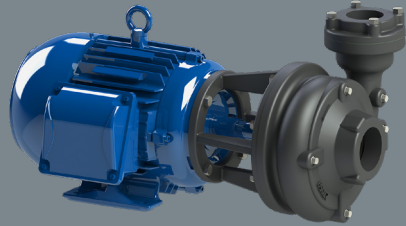
- Back pullout design reduces service downtime
- Durable one-piece shaft eliminates risk of coupling misalignment
- Renewable shaft sleeve protects shaft from wear
- Mechanical seal prevents leakage

Options

- Cast Iron or 316 Stainless Steel construction
- Choice of 1 or 3 phase motor
- Multiple mechanical seal materials
- Impeller variations: 316 Stainless Steel or recessed design
- Seal flush line addition
- Long coupled design (CBM model pumps)

Performance Curves

3450 RPM



Low Maintenance

- Long service life
- Back pullout design
- Renewable shaft sleeve

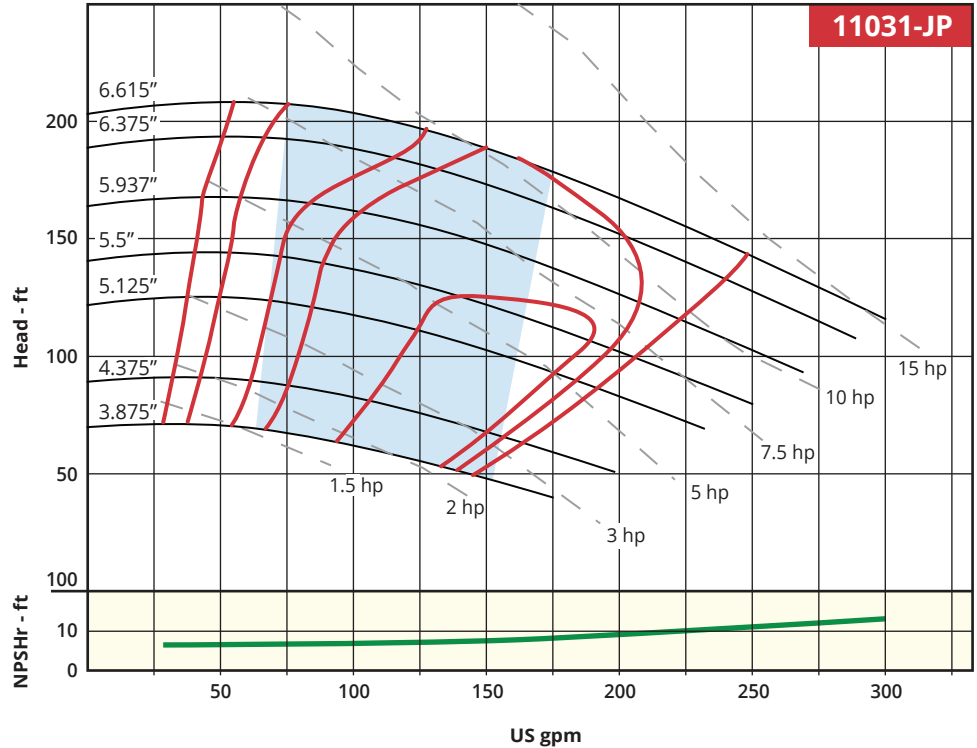
Custom Design

- Choice of materials
- Choice of seals
- Choice of impellers

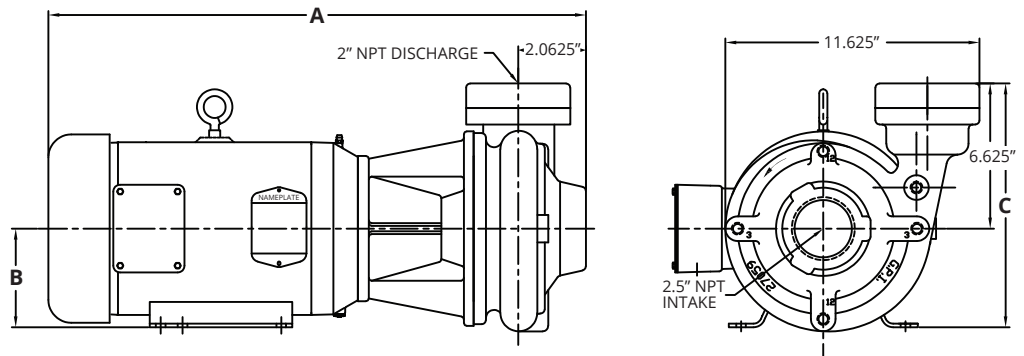
Applications

- Machine tool coolant systems
- Cooling towers and chillers
- Industrial spray washers
- Industrial washing machines
- Paint/Ecoat paint systems
- Paper pulp
- Wastewater
- Water purification

Recommended Operating Range



Dimensions*



HP	Total Length (A)	Motor Center to Foot (B)	Total Height (C)	Weight (lbs)
3	22.75"	4.50"	11.00"	140
5	23.75"	4.50"	11.00"	150
7.5	27.25"	5.25"	11.75"	160
10	27.25"	5.25"	11.75"	220
15+	31.75"	6.25"	12.75"	320

*For reference only; not for construction. Contact Gusher Engineering for certified drawings.

+ Available in 3 phase only



A RUTHMAN COMPANY

www.Gusher.com
Info@Gusher.com
859.824.5001