



A RUTHMAN COMPANY

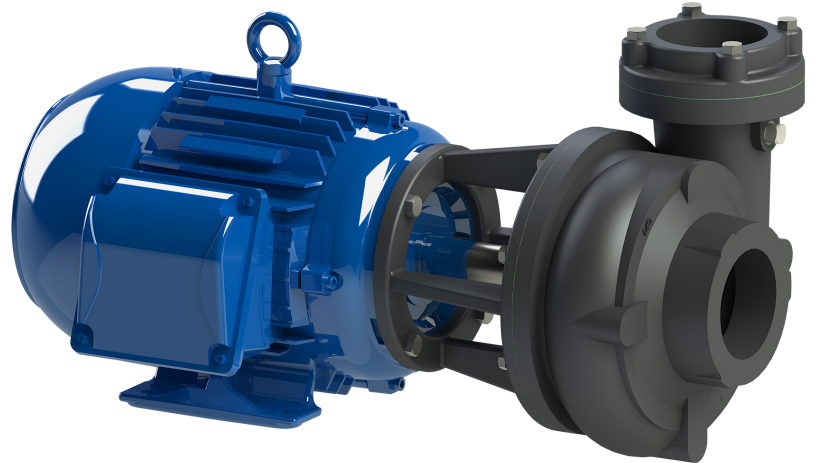
7800 Series Horizontal Pumps

11032-JP

3450 RPM

Gusher 7800 Series Horizontal pumps provide years of trouble-free, low maintenance operation. If service is needed beyond standard periodic lubrication, the back pullout design cuts downtime to a minimum.

With the back pullout design, all pump components are removed and reinstalled without disconnecting the piping. After completing repairs (typically replacement of the seal assembly or shaft sleeve) the pump is quickly returned to operation.



Key Specifications

Type: Centrifugal, End Suction

Flow: Up to 410 gpm

Head: Up to 180' TDH

Liquid Temp: Max 180° F

Max Solid Size: .68"

Motor Type: Standard JP Motor

Intake: 3"

Discharge: 3"

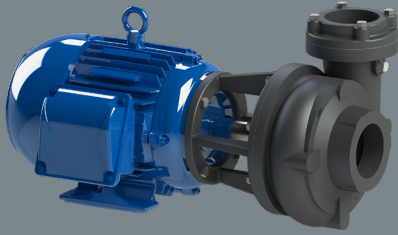
Power: 5 hp, 7.5 hp, 10 hp, 15 hp, 20 hp and 25 hp

Features

- Back pullout design reduces service downtime
- Durable one-piece shaft eliminates risk of coupling misalignment
- Renewable shaft sleeve protects shaft from wear
- Mechanical seal prevents leakage
- Enclosed impeller for maximum efficiency

Options

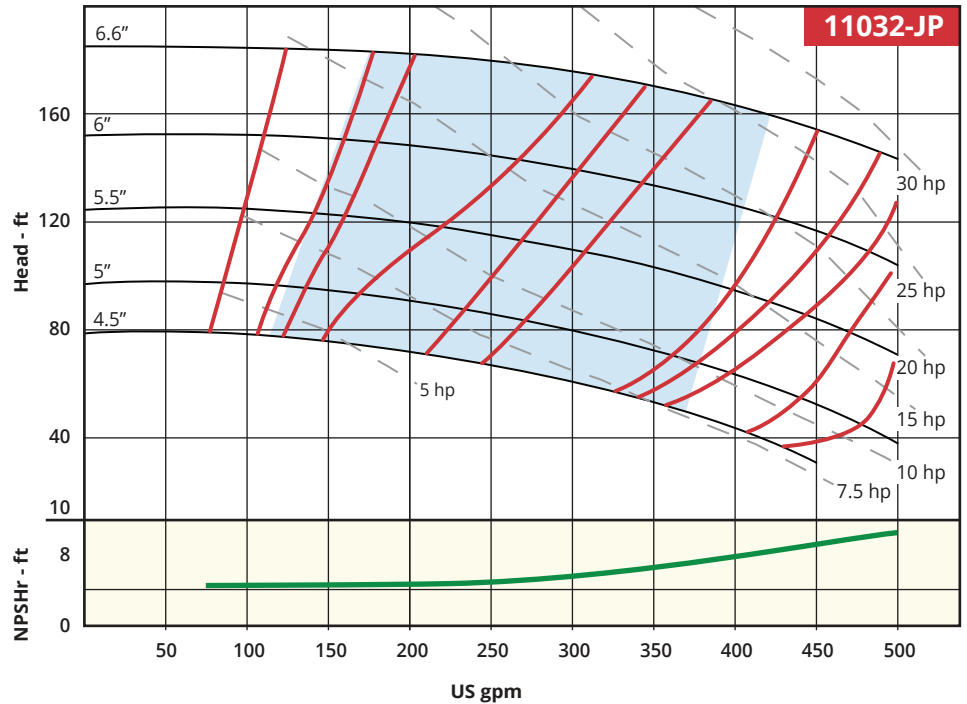
- Cast Iron or 316 Stainless Steel construction
- Choice of 1 or 3 phase motor
- Multiple mechanical seal materials
- Impeller variations: 316 Stainless Steel
- Seal flush line addition
- Long coupled design (CBM model pumps)



Performance Curves

3450 RPM

Recommended Operating Range



Other hp shown for reference only.

Low Maintenance

- Long service life
- Back pullout design
- Renewable shaft sleeve

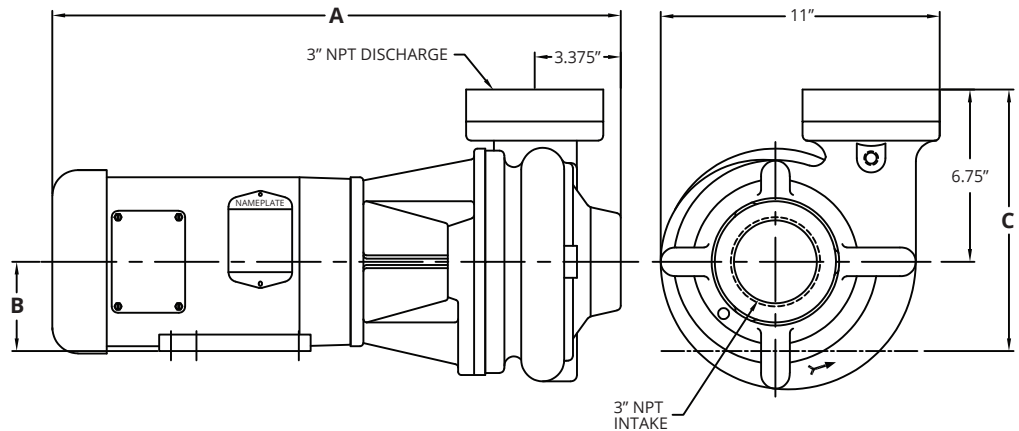
Custom Design

- Choice of materials
- Choice of seals
- Long coupled models

Applications

- Machine tool coolant systems
- Cooling towers and chillers
- Industrial spray washers
- Industrial washing machines
- Paint/Ecoat paint systems
- Paper pulp
- Wastewater
- Water purification

Dimensions*



HP	Total Length (A)	Motor Center to Foot (B)	Total Height (C)	Weight (lbs)
5	24.00"	4.50"	11.25"	150
7.5	27.50"	5.25"	12.00"	160
10	27.50"	5.25"	12.00"	220
15+	32.00"	6.25"	13.00"	320
20+	32.00"	6.25"	13.00"	350
25+	32.00"	6.25"	13.00"	400

*For reference only; not for construction. Contact Gusher Engineering for certified drawings.

+ Available in 3 phase only



A RUTHMAN COMPANY

www.Gusher.com
Info@Gusher.com
859.824.5001