



A RUTHMAN COMPANY

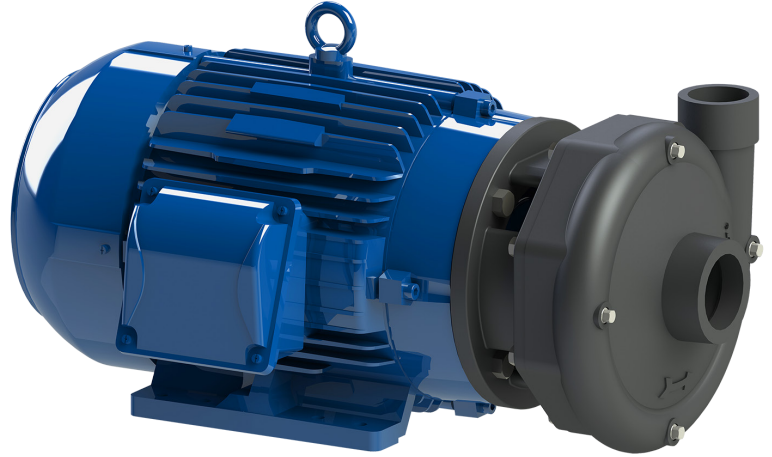
7800 Series Horizontal Pumps

11034-JM

3450 RPM

Gusher 7800 Series Horizontal pumps provide years of trouble-free, low maintenance operation. If service is needed beyond standard periodic lubrication, the back pullout design cuts downtime to a minimum.

With the back pullout design, all pump components are removed and reinstalled without disconnecting the piping. After completing repairs (typically replacement of the seal assembly or shaft sleeve) the pump is quickly returned to operation.



Key Specifications

Type: Centrifugal, End Suction

Flow: Up to 190 gpm

Head: Up to 290' TDH

Liquid Temp: Max 180° F

Max Solid Size: .375"

Motor Type: Standard JM Motor

Intake: 2"

Discharge: 1.5"

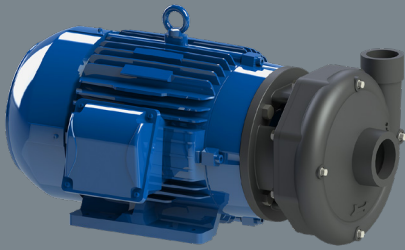
Power: 5 hp, 7.5 hp, 10 hp, 15 hp and 20 hp

Features

- Back pullout design reduces service downtime
- Durable one-piece shaft eliminates risk of coupling misalignment
- Renewable shaft sleeve protects shaft from wear
- Mechanical seal prevents leakage
- Enclosed impeller for maximum efficiency

Options

- Cast Iron or 316 Stainless Steel construction
- Choice of 1 or 3 phase motor
- Multiple mechanical seal materials
- Impeller variations: 316 Stainless Steel
- Seal flush line addition



Low Maintenance

- Long service life
- Back pullout design
- Renewable shaft sleeve

Custom Design

- Choice of materials
- Choice of seals
- Choice of impellers

Applications

- Machine tool coolant systems
- Cooling towers and chillers
- Industrial spray washers
- Industrial washing machines
- Paint/Ecoat paint systems
- Paper pulp
- Wastewater
- Water purification



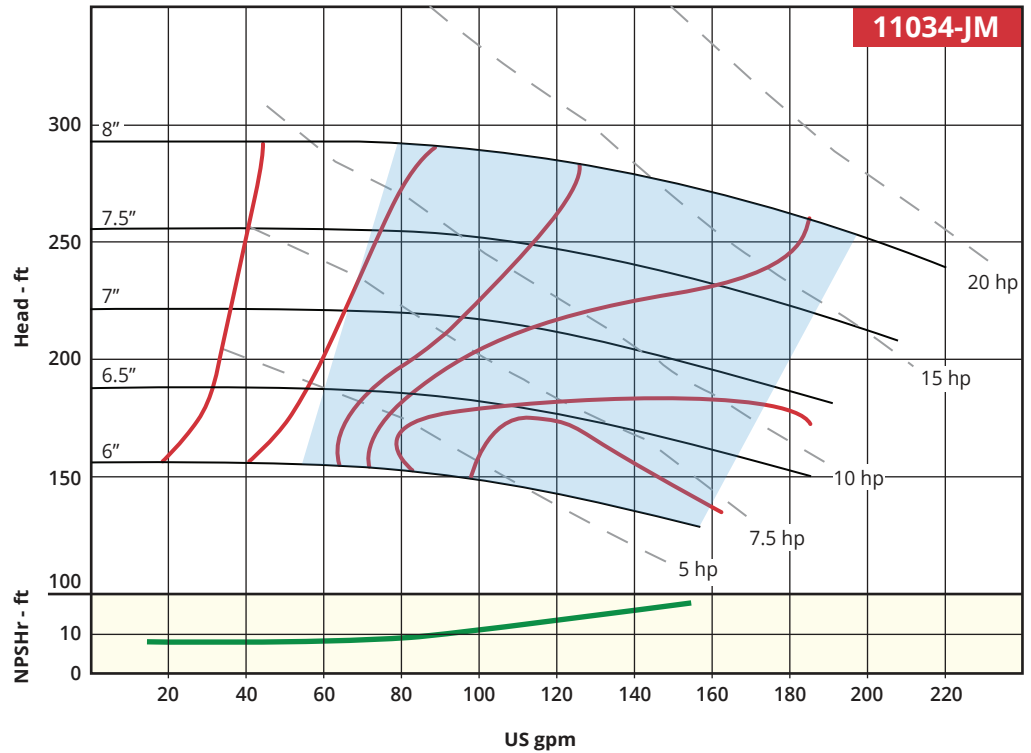
A RUTHMAN COMPANY

www.Gusher.com
Info@Gusher.com
859.824.5001

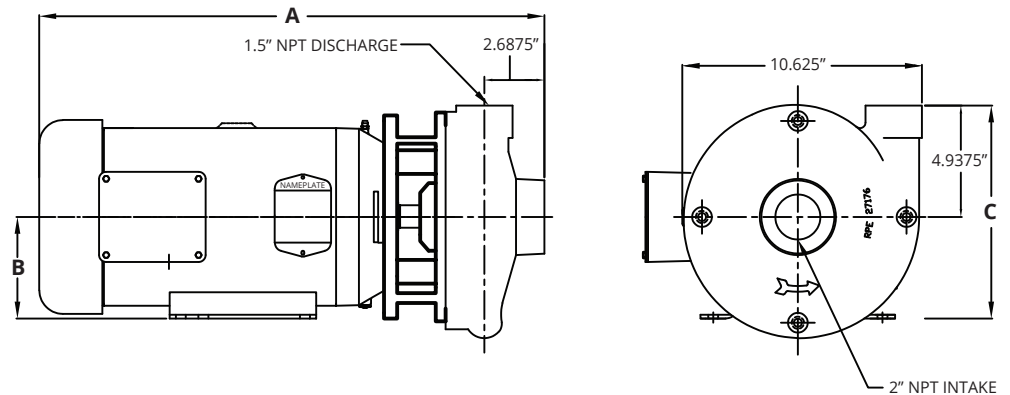
Performance Curve

3450 RPM

Recommended Operating Range



Dimensions*



HP	Total Length (A)	Motor Center to Foot (B)	Total Height (C)	Weight (lbs)
5	22.50"	4.50"	9.50"	150
7.5	23.50"	5.25"	10.25"	160
10+	23.50"	5.25"	10.25"	220
15+	24.75"	5.25"	10.25"	320
20+	26.50"	6.25"	11.25"	350

*For reference only; not for construction. Contact Gusher Engineering for certified drawings.

+ Available in 3 phase only