



A RUTHMAN COMPANY

# Vortex Series Vertical Pumps

VORTEX  
V2x2-10SE

1750 RPM

Gusher Vortex Series Vertical pumps provide years of trouble-free, low maintenance operation in applications with high levels of solids or entrained air.

Vortex pumps handle solids and fibrous materials without clogging. Their design moves liquids and oils containing up to 30% entrained air with no adverse effects on suction performance. Low flows are not a problem for Vortex pumps, as the design allows throttling to a low performance range unacceptable to many centrifugal pumps.



## Key Specifications

**Type:** Vortex Centrifugal End Suction

**Flow:** Up to 360 gpm

**Head:** Up to 110' TDH

**Liquid Temp:** Max 180° F

**Max Solid Size:** 2"

**Power Frame:** 52 VHD

**Motor Type:** TEFC, TC Frame

**Intake:** 2"

**Discharge:** 2"

**Power:** 3 hp, 5 hp, 7.5 hp, 10 hp and 15 hp

## Features

- Recessed impeller handles solids and fibrous material without clogging
- Durable CD4MCu impeller standard to prevent premature wear
- Choice of materials for process chemical compatibility
- Renewable shaft sleeves and bushings protect shaft from wear
- VFD compatible motors to suit application needs
- Power frame and spare wear parts interchangeable with Gusher 7550 Series pumps to streamline replacement part inventory

## Options

- Cast Iron, Ductile Iron, 316 Stainless Steel, CD4MCu construction
- Carbon or Tungsten Carbide bushings
- Extended lengths
- Flush line addition
- Top pullout design—on standard, +6 & +12 lengths only; subject to Gusher Engineering approval



## Low Maintenance

- Long service life
- Top pullout design option
- Renewable shaft sleeve and bushings

## Custom Design

- Choice of materials
- Choice of pump length
- Choice of bushing material

## Applications

- Agriculture
- Fibrous Waste
- Sludge
- Shavings
- Swarf
- Paper Pulp
- Wastewater



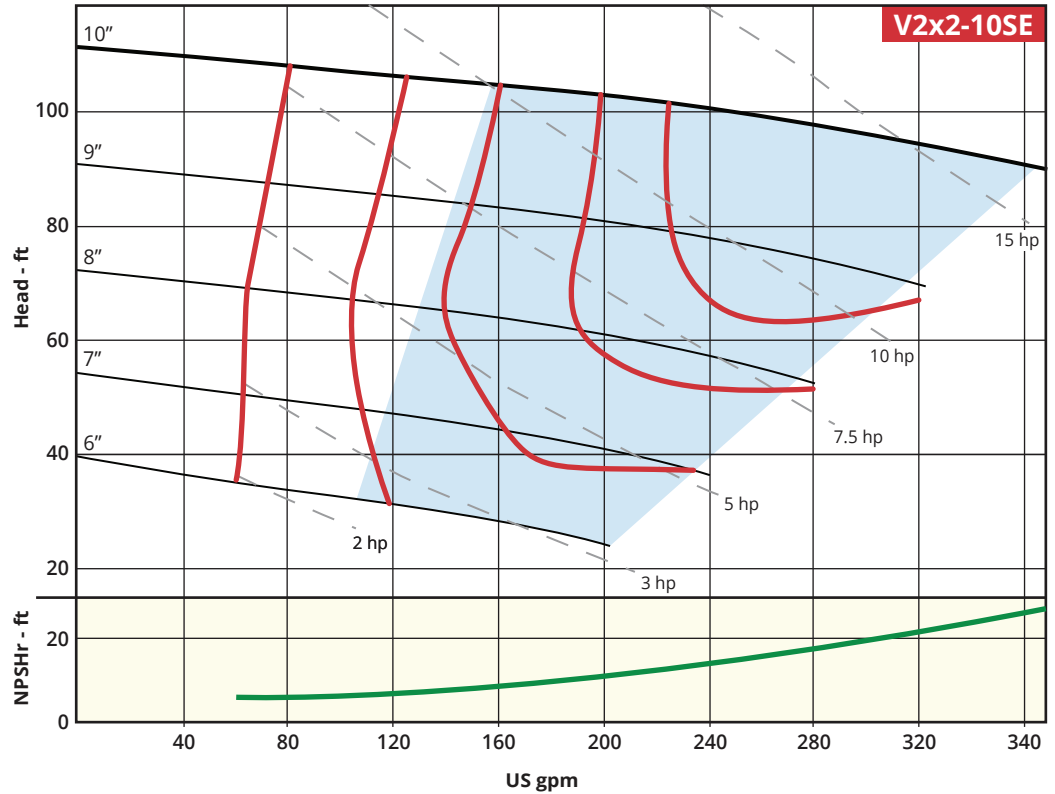
A RUTHMAN COMPANY

www.Gusher.com  
 Info@Gusher.com  
 859.824.5001

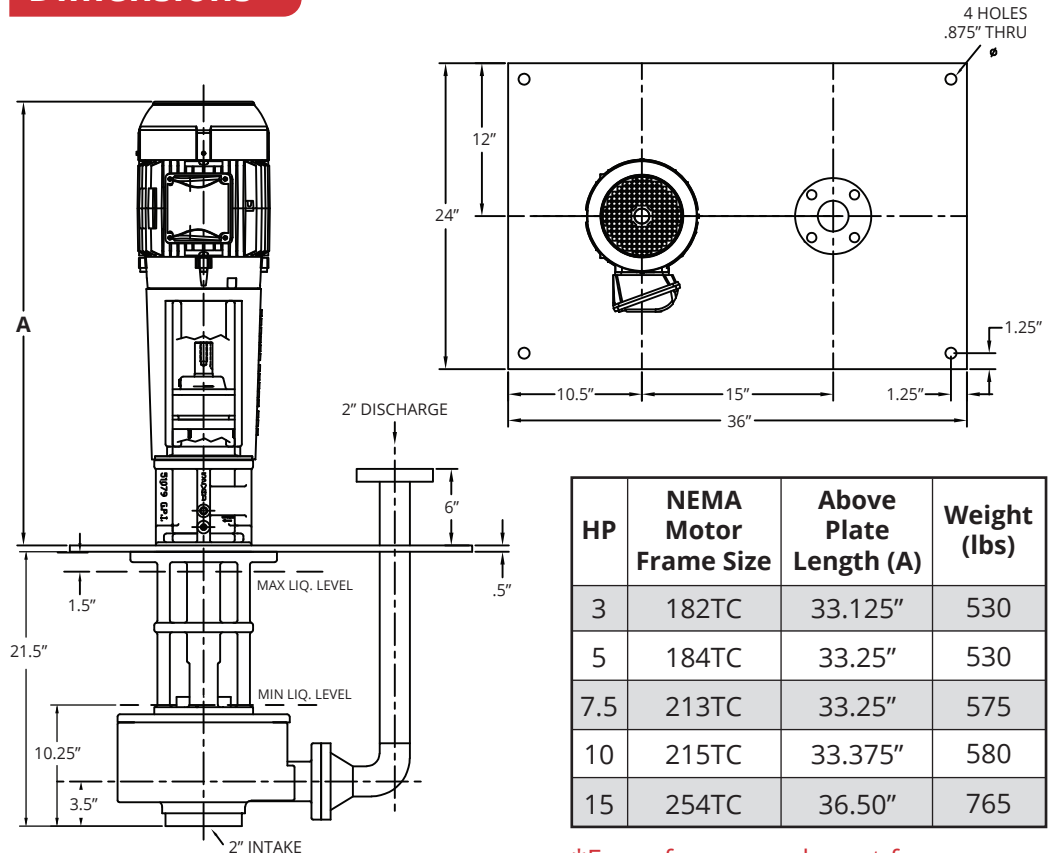
## Performance Curve

1750 RPM

### Recommended Operating Range



## Dimensions\*



HP	NEMA Motor Frame Size	Above Plate Length (A)	Weight (lbs)
3	182TC	33.125"	530
5	184TC	33.25"	530
7.5	213TC	33.25"	575
10	215TC	33.375"	580
15	254TC	36.50"	765

\*For reference only; not for construction. Contact Gusher Engineering for certified drawings.