



A RUTHMAN COMPANY

Vortex Series Vertical Pumps

VORTEX
V2X3-13SE

1750 RPM

Gusher Vortex Series Vertical pumps provide years of trouble-free, low maintenance operation in applications with high levels of solids or entrained air.

Vortex pumps handle solids and fibrous materials without clogging. Their design moves liquids and oils containing up to 30% entrained air with no adverse effects on suction performance. Low flows are not a problem for Vortex pumps, as the design allows throttling to a low performance range unacceptable to many centrifugal pumps.

Key Specifications

Type: Vortex Centrifugal End Suction

Flow: Up to 620 gpm

Head: Up to 200' TDH

Liquid Temp: Max 180° F

Max Solid Size: 2"

Power Frame: 52 VHD

Motor Type: TEFC, TC Frame

Intake: 3"

Discharge: 2"

Power: 15 hp, 20 hp, 25 hp, 30 hp, 40 hp and 50 hp



Features

- Recessed impeller handles solids and fibrous material without clogging
- Durable CD4MCu impeller standard to prevent premature wear
- Choice of materials for process chemical compatibility
- Renewable shaft sleeves and bushings protect shaft from wear
- VFD compatible motors to suit application needs
- Power frame and spare wear parts interchangeable with Gusher 7550 Series pumps to streamline replacement part inventory

Options

- Cast Iron, Ductile Iron, 316 Stainless Steel, CD4MCu construction
- Carbon or Tungsten Carbide bushings
- Extended lengths
- Flush line addition
- Top pullout design—on standard, +6 & +12 lengths only; subject to Gusher Engineering approval



Low Maintenance

- Long service life
- Top pullout design option
- Renewable shaft sleeve and bushings

Custom Design

- Choice of materials
- Choice of pump length
- Choice of bushing material

Applications

- Agriculture
- Fibrous Waste
- Sludge
- Shavings
- Swarf
- Paper Pulp
- Wastewater



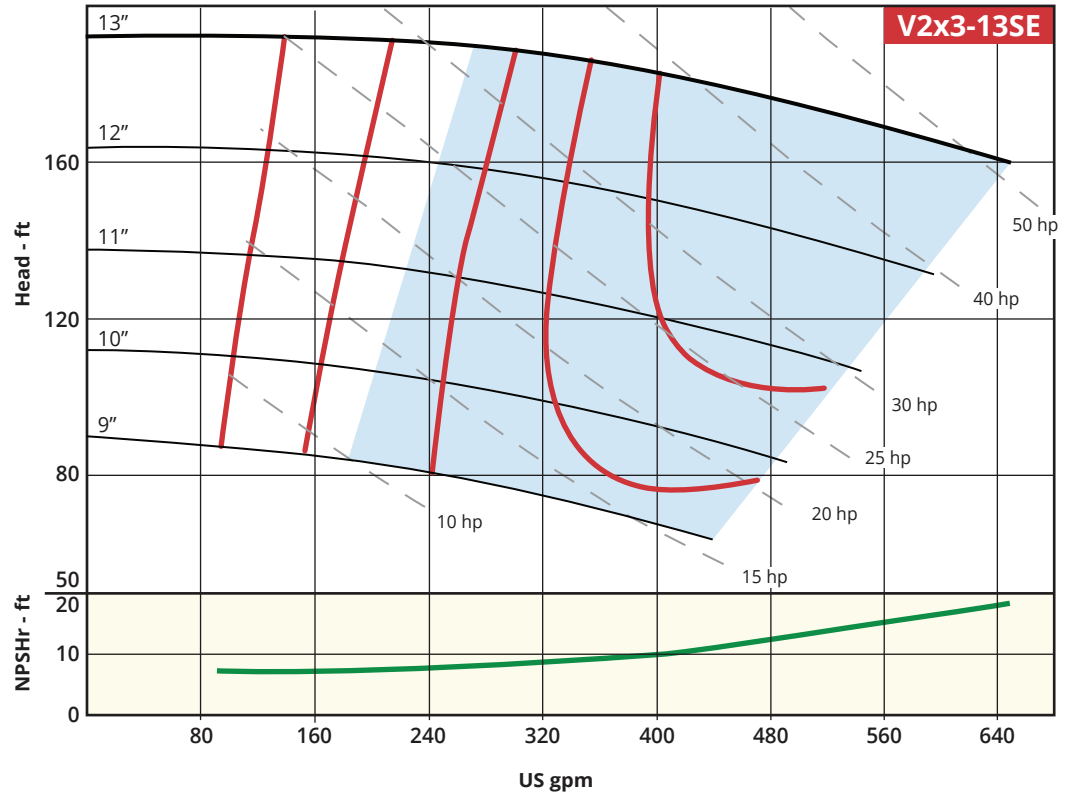
A RUTHMAN COMPANY

www.Gusher.com
 Info@Gusher.com
 859.824.5001

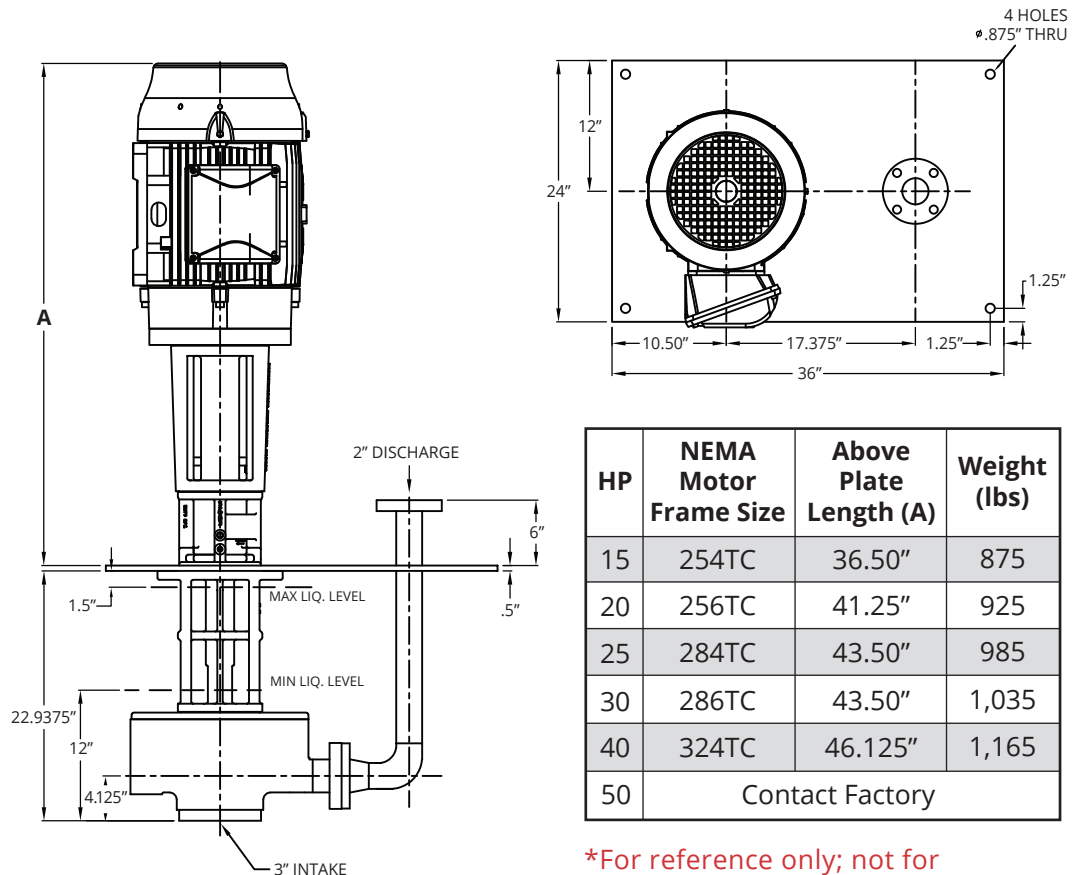
Performance Curve

1750 RPM

Recommended Operating Range



Dimensions*



HP	NEMA Motor Frame Size	Above Plate Length (A)	Weight (lbs)
15	254TC	36.50"	875
20	256TC	41.25"	925
25	284TC	43.50"	985
30	286TC	43.50"	1,035
40	324TC	46.125"	1,165
50	Contact Factory		

*For reference only; not for construction. Contact Gusher Engineering for certified drawings.