



A RUTHMAN COMPANY

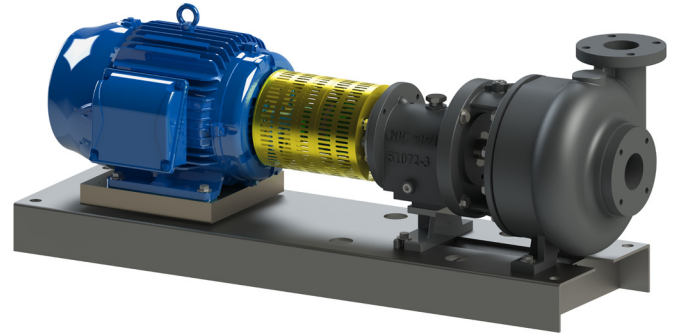
# Vortex Series Horizontal Pumps

VORTEX  
V2x2-8SE

1750 RPM

Gusher Vortex Series Horizontal pumps provide years of trouble-free, low maintenance operation in applications with high levels of solids or entrained air.

Vortex pumps handle solids and fibrous materials without clogging. Their design moves liquids and oils containing up to 30% entrained air with no adverse effects on suction performance. Low flows are not a problem for Vortex pumps, as the design allows throttling to a low performance range unacceptable to many centrifugal pumps.



## Key Specifications

**Type:** Vortex Centrifugal End Suction

**Flow:** Up to 320 gpm

**Head:** Up to 70' TDH

**Liquid Temp:** Max 180° F

**Max Solid Size:** 2"

**Power Frame:** 7071S

**Motor Type:** TEFC, T Frame

**Intake:** 2"

**Discharge:** 2"

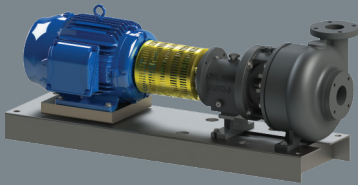
**Power:** 1.5 hp, 2 hp, 3 hp, 5 hp, 7.5 hp and 10 hp

## Features

- Recessed impeller handles solids and fibrous material without clogging
- Durable CD4MCu impeller standard to prevent premature wear
- Choice of materials for process chemical compatibility
- Renewable shaft sleeve protects shaft from wear
- Mechanical seal prevents leakage
- Back pullout design simplifies maintenance
- VFD compatible motors to suit application needs
- Power frame and spare wear parts interchangeable with Gusher 7071 Series pumps to streamline replacement part inventory

## Options

- Cast Iron, Ductile Iron, 316 Stainless Steel, or CD4MCu construction
- Multiple mechanical seal materials
- Flush line addition



## Low Maintenance

- Long service life
- Back pullout design
- Renewable shaft sleeve

## Custom Design

- Choice of materials
- Choice of seals

## Applications

- Agriculture
- Fibrous Waste
- Sludge
- Shavings
- Swarf
- Paper Pulp
- Wastewater



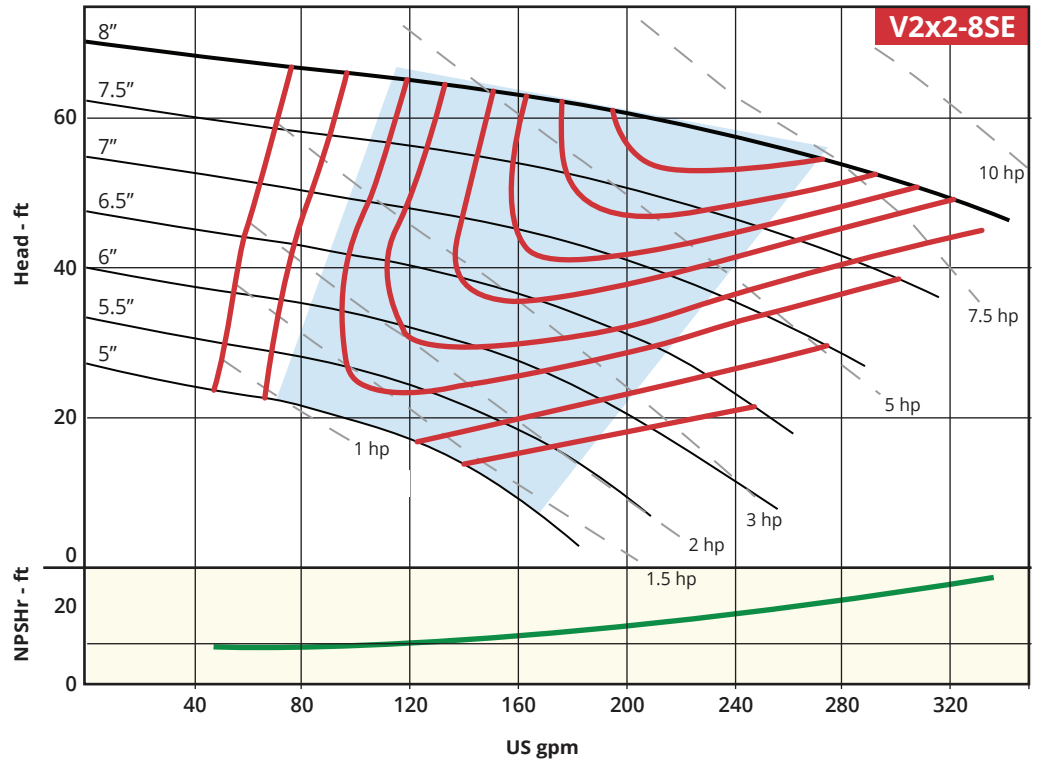
A RUTHMAN COMPANY

www.Gusher.com  
Info@Gusher.com  
859.824.5001

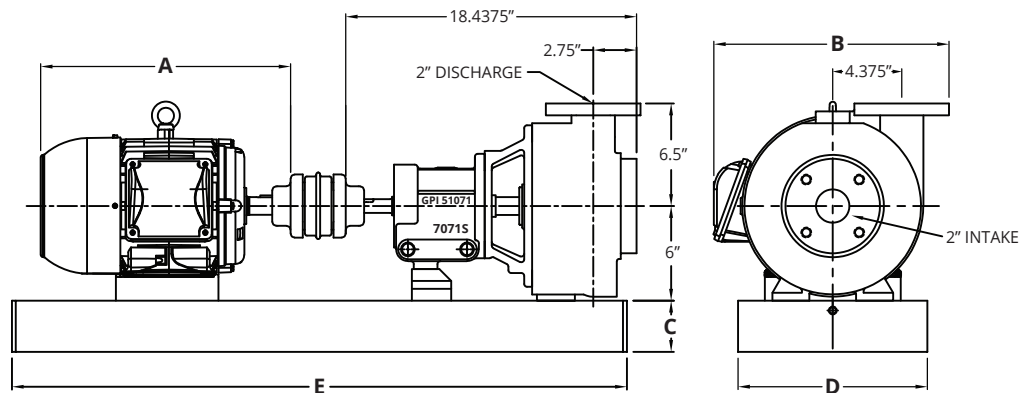
## Performance Curve

1750 RPM

### Recommended Operating Range



## Dimensions\*



HP	NEMA Motor Frame Size	Base	Motor Length (A)	Conduit Box to Shaft Width (B)	Base Height (C)	Base Width (D)	Base Length (E)	Weight (lbs)
1.5	143T	67220-1S	13.346"	13.38"	3.00"	10.00"	35.00"	315
2	145T	67220-1S	13.346"	13.38"	3.00"	10.00"	35.00"	315
3	182T	67220-2S	15.86"	15.00"	3.25"	12.00"	39.00"	360
5	184T	67220-2S	15.86"	15.00"	3.25"	12.00"	39.00"	365
7.5	213T	67220-2S	19.53"	16.00"	3.25"	12.00"	39.00"	435
10	215T	67220-2S	19.53"	16.00"	3.25"	12.00"	39.00"	440

\*For reference only; not for construction. Contact Gusher Engineering for certified drawings.